

NOTES: MATERIAL & FINISH

- 1. HOUSING: HIGH-TEMP THERMOPLASTIC UL94V-0, COLOR: BLACK
- 2. ACTUATOR: HIGH-TEMP THERMOPLASTIC UL94V-0, COLOR: NATURE
- 3. CONTACT: COPPER ALLOY

PLATING: TIN OR MATTE-TIN OR GOLD FLASH
OVERALL $50\mu\text{'}\sim 100\mu\text{'}$ NICKEL UNDER PLATED. Δ

- 4. FITTING NAIL: COPPER ALLOY.
PLATING: TIN OVERALL $50\mu\text{'}\sim 100\mu\text{'}$ NICKEL UNDER PLATED. Δ

5. ORDER INFORMATION: 6915K-X XX X-00,10,20,30,40 X Δ Δ Δ

Δ PACKING: E: TUBE
 Δ R: PLASTIC REEL
 Δ L: PAPER REEL

N: STANDARD
M: ADD MYLAR Δ

PIN
PLATING: E: $100\mu\text{'}\sim 160\mu\text{'}$ TIN Δ
Q: $100\mu\text{'}\sim 160\mu\text{'}$ MATTE-TIN Δ

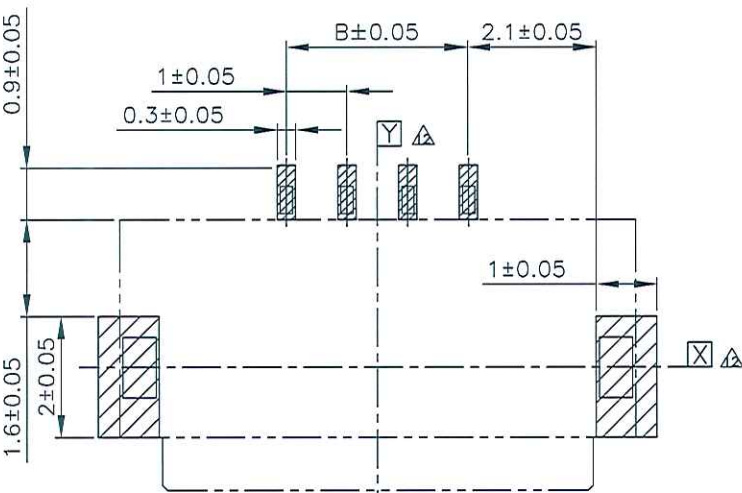
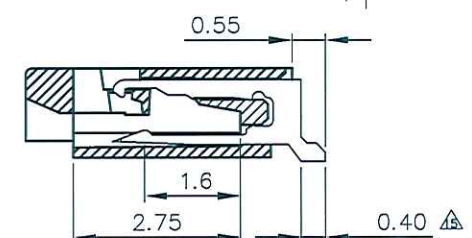
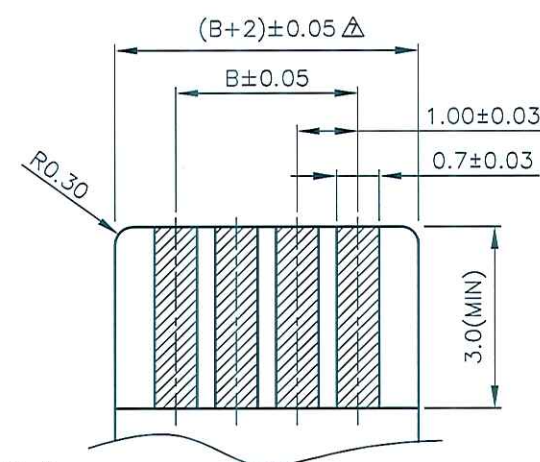
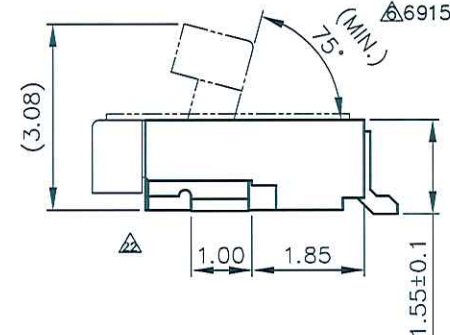
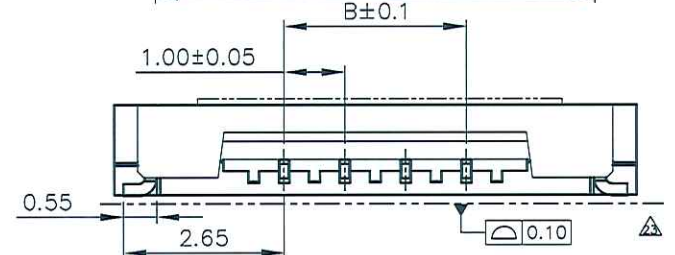
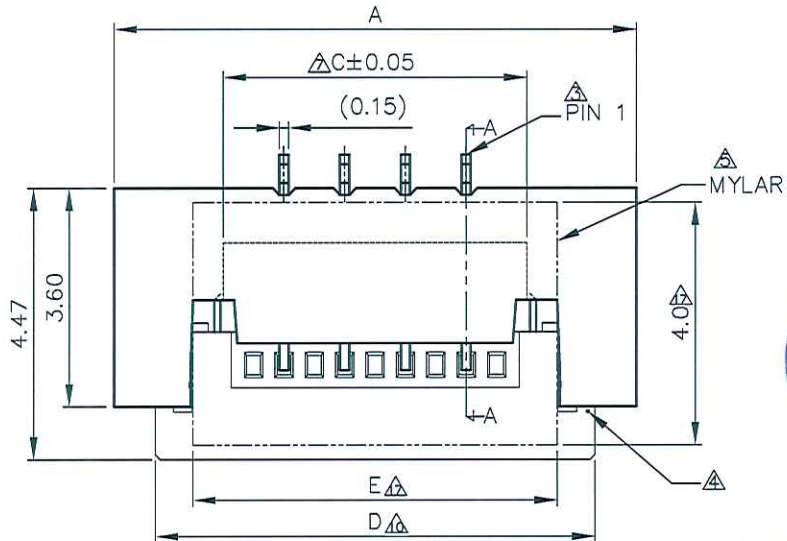
Δ F: GOLD FLASH Δ

Δ Y: GOLD FLASH Δ

(WITH NICKEL BARRIER)

Δ M: CONTACT AREA $5\mu\text{'}$ GOLD
SOLDER AREA GOLD FLASH

Δ 6915K: 1.0 ZIF FPC SMT R/A TYPE BOTTOM CONTACT
(Halogen Free)



PCB LAYOUT

CABLE INSERT DIM.

Δ SECTION A-A

APPLICABLE FPC/FCC
(THICKNESS 0.3 ± 0.03)

ENTERY INDUSTRIAL CO., LTD.
JUN 17, 2015
R&D D.C.C. ISSUED

Δ	RE201304010	Ceres	06/16/15
Δ	RE201503004	Juno	04/22/15
Δ	RE201410016	Juno	12/29/14
Δ	REN141003	Juno	10/01/14
Δ	RE201309023	Juno	10/04/13
Δ	RE201305018	Juno	05/24/13
SER	REVISIONS	CHK	DATE

CUSTOMER		恩得利工業股份有限公司 ENTERY INDUSTRIAL CO., LTD.	
DRAWN	Joan NOV-25-2004	PART NO.	Δ Δ Δ
CHECKED			6915K-XXXX-00,10,20,30,40X
APPROVED		TITLE:	1.0 ZIF FPC SMT R/A TYPE BOTTOM CONTACT
SHEET		UNIT	MM
		SCALE	8:1
		SIZE	A4
		REV	Z

PIN.	A	B	C	D
04	8.6	3.0	5.1	7.24
05	9.6	4.0	6.1	8.24
06	10.6	5.0	7.1	9.24
07	11.6	6.0	8.1	10.24
08	12.6	7.0	9.1	11.24
09	13.6	8.0	10.1	12.24
10	14.6	9.0	11.1	13.24
11	15.6	10.0	12.1	14.24
12	16.6	11.0	13.1	15.24
13	17.6	12.0	14.1	16.24
14	18.6	13.0	15.1	17.24
15	19.6	14.0	16.1	18.24
16	20.6	15.0	17.1	19.24
17	21.6	16.0	18.1	20.24
18	22.6	17.0	19.1	21.24
19	23.6	18.0	20.1	22.24
20	24.6	19.0	21.1	23.24
21	25.6	20.0	22.1	24.24
22	26.6	21.0	23.1	25.24
23	27.6	22.0	24.1	26.24
24	28.6	23.0	25.1	27.24
25	29.6	24.0	26.1	28.24
26	30.6	25.0	27.1	29.24
27	31.6	26.0	28.1	30.24
28	32.6	27.0	29.1	31.24
29	33.6	28.0	30.1	32.24
30	34.6	29.0	31.1	33.24

Δ MYLAR TYPE	
PIN.	E
04~11	6
12~60	12