

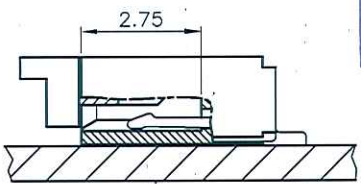
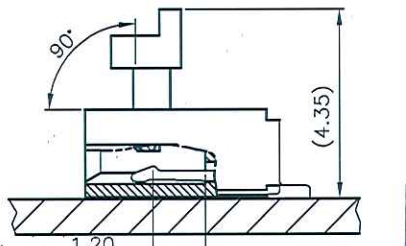
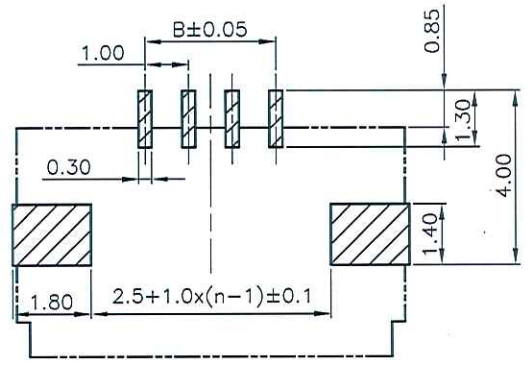
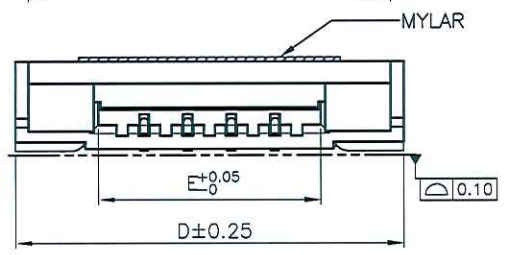
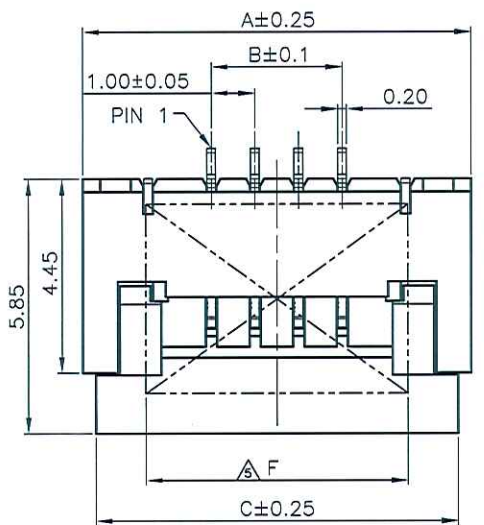
NOTES: MATERIAL & FINISH
 1. HOUSING: HIGH-TEMP THERMOPLASTIC UL94V-0
 COLOR: BLACK
 2. ACTUATOR: HIGH-TEMP THERMOPLASTIC UL94V-0
 COLOR: NATURE
 3. TERMINAL: COPPER ALLOY
 PLATING: TIN OR MATTE-TIN OR GOLD FLASH PLATED
 4. FITTING NAIL: COPPER ALLOY
 PLATING: TIN PLATED
 5. ORDER INFORMATION: 6916K-X XX X-08,28 X



PIN	A	B	C	D	E
04	8.90	3.00	8.30	8.9	5.05
05	9.90	4.00	9.30	9.9	6.05
06	10.90	5.00	10.30	10.9	7.05
07	11.90	6.00	11.30	11.9	8.05
08	12.90	7.00	12.30	12.9	9.05
09	13.90	8.00	13.30	13.9	10.05
10	14.90	9.00	14.30	14.9	11.05
11	15.90	10.00	15.30	15.9	12.05
12	16.90	11.00	16.30	16.9	13.05
13	17.90	12.00	17.30	17.9	14.05
14	18.90	13.00	18.30	18.9	15.05
15	19.90	14.00	19.30	19.9	16.05
16	20.90	15.00	20.30	20.9	17.05
17	21.90	16.00	21.30	21.9	18.05
18	22.90	17.00	22.30	22.9	19.05
19	23.90	18.00	23.30	23.9	20.05
20	24.90	19.00	24.30	24.9	21.05
21	25.90	20.00	25.30	25.9	22.05
22	26.90	21.00	26.30	26.9	23.05
23	27.90	22.00	27.30	27.9	24.05
24	28.90	23.00	28.30	28.9	25.05
25	29.90	24.00	29.30	29.9	26.05
26	30.90	25.00	30.30	30.9	27.05
27	31.90	26.00	31.30	31.9	28.05
28	32.90	27.00	32.30	32.9	29.05
29	33.90	28.00	33.30	33.9	30.05
30	34.90	29.00	34.30	34.9	31.05

PACKING: E:TUBE
 R:PLASTIC CARRIER
 L:PAPER CARRIER
 TYPE:08:STANDARD
 28:CARRIER ADD HOLE
 M:MYLAR
 N:STANDARD
 PIN NO.
 PLATING: E:TIN
 Q:MATTE-TIN
 F:GOLD FLASH
 Y AND V:GOLD FLASH (WITH NICKEL BARRIER)
 H:15u" GOLD (WITH NICKEL BARRIER)
 6916K:1.0 ZIF FPC SMT R/A BOTTOM TYPE(HALOGEN FREE)

PIN NO.	F
04~11	6.00
12~30	12.00



RECOMMENDED APPLICABLE
 FPC LAYOUT
 ENTERY INDUSTRIAL CO., LTD.
 JUN 19, 2014
 R&D D.C.C. ISSUED

CUSTOMER		恩得利工業股份有限公司 ENTERY INDUSTRIAL CO., LTD.	
GENERAL TOLERANCE UNLESS OTHERWISE SPECIFIED	DRAWN KAZ MAY-25-2012	PART NO. 6916K-XXXX-08,28X	
X.X ±0.25	CHECKED	TITLE: 1.0 ZIF FPC SMT R/A TYPE BOTTOM CONTACT H=2.00	
X.XX ±0.15	APPROVED KAZ 6/19/14	UNIT MM	SCALE 8:1
X.XXX	SHEET 1/1	SIZE A4	REV E
ANG. ±3°			
SER REVISIONS	CHK DATE		

REVISIONS	CHK	DATE
REN140605	Juno	06/12/14
RE201403006	Juno	03/21/14
RE201208013	JIMMY	12/20/12
RE201208036	JIMMY	09/20/12
RE201206015	KAZ	07/18/12