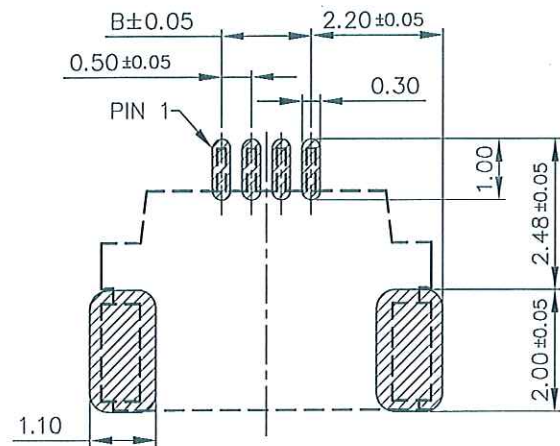
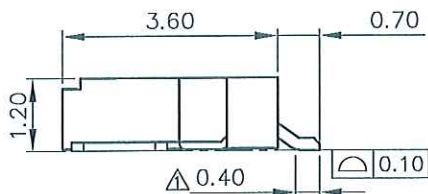
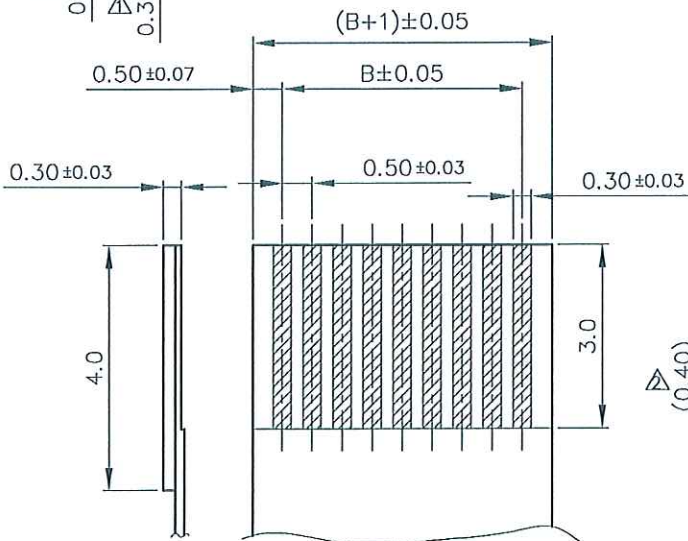
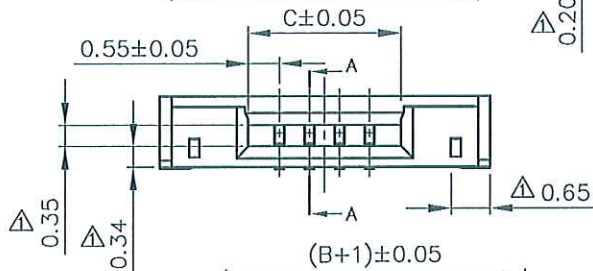
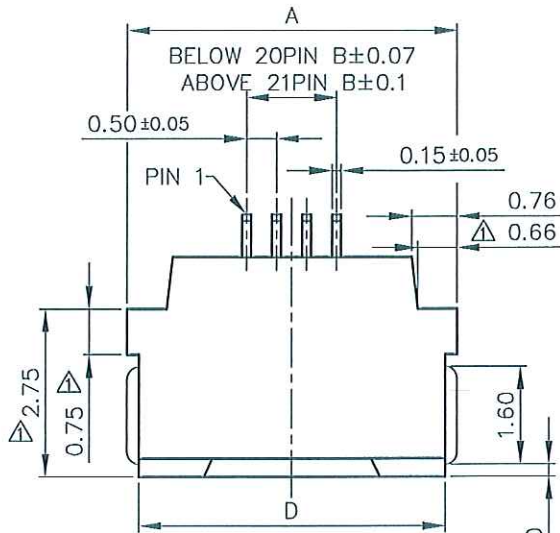


NOTES: MATERIAL AND FINISH
 1.INSULATOR: HIGH-TEMP THERMOPLASTIC, UL94V-0
 COLOR: NATURE
 2.CONTACT: COPPER ALLOY
 PLATING: TIN OR MATTE-TIN OR GOLD FLASH PLATED
 3.FITTING NAIL: COPPER ALLOY; PLATING: TIN PLATED
 △ ORDER INFORMATION: 7080K-X XX X-X4 X

ENTERY INDUSTRIAL CO., LTD.
 JAN 10 2013
 R&D D.C.C. ISSUED

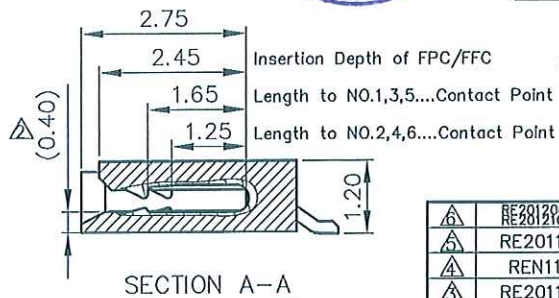
PACKING: E: TUBE
 R: PAPER REEL
 L: PAPER REEL
 TYPE
 04: (04~19PIN)
 24: (20~50PIN) △△
 N: STANDARD
 Y: DATE CODE
 PIN NO.
 PLATING: Q: MATTE-TIN
 E: TIN
 F: GOLD FLASH
 △ Y: GOLD FLASH (WITH NICKEL BARRIER)
 7080K: 0.5 PITCH NON-ZIF FPC SMT R/A (HALOGEN FREE)

PIN NO.	A	B	C	D
4	5.53	1.50	2.60	5.13
5	6.03	2.00	3.10	5.63
6	6.53	2.50	3.60	6.13
7	7.03	3.00	4.10	6.63
8	7.53	3.50	4.60	7.13
9	8.03	4.00	5.10	7.63
10	8.53	4.50	5.60	8.13
11	9.03	5.00	6.10	8.63
12	9.53	5.50	6.60	9.13
13	10.03	6.00	7.10	9.63
14	10.53	6.50	7.60	10.13
15	11.03	7.00	8.10	10.63
16	11.53	7.50	8.60	11.13
17	12.03	8.00	9.10	11.63
18	12.53	8.50	9.60	12.13
19	13.03	9.00	10.10	12.63
20	13.53	9.50	10.60	13.13
21	14.03	10.00	11.10	13.63
22	14.53	10.50	11.60	14.13
23	15.03	11.00	12.10	14.63
24	15.53	11.50	12.60	15.13
25	16.03	12.00	13.10	15.63
26	16.53	12.50	13.60	16.13
27	17.03	13.00	14.10	16.63
28	17.53	13.50	14.60	17.13
29	18.03	14.00	15.10	17.63
30	18.53	14.50	15.60	18.13
31	19.03	15.00	16.10	18.63
32	19.53	15.50	16.60	19.13
33	20.03	16.00	17.10	19.63
34	20.53	16.50	17.60	20.13
35	21.03	17.00	18.10	20.63
36	21.53	17.50	18.60	21.13
37	22.03	18.00	19.10	21.63
38	22.53	18.50	19.60	22.13
39	23.03	19.00	20.10	22.63
40	23.53	19.50	20.60	23.13
41	24.03	20.00	21.10	23.63
42	24.53	20.50	21.60	24.13
43	25.03	21.00	22.10	24.63
44	25.53	21.50	22.60	25.13
45	26.03	22.00	23.10	25.63
46	26.53	22.50	23.60	26.13
47	27.03	23.00	24.10	26.63
48	27.53	23.50	24.60	27.13
49	28.03	24.00	25.10	27.63
50	28.53	24.50	25.60	28.13



RECOMMENDED PATTERN DIM. (REF.)

TOLERANCE ±0.05



REVISIONS	CHK	DATE
△	RE201208014	JIMMY 12/20/12
△	RE201111024	JIMMY 11/24/11
△	REN110307	Kaz 03/08/11
△	RE201101010	JOAN 01/17/11
△	REN110105	JIMMY 01/10/11
△	REN101023	JIMMY 10/21/10

CUSTOMER: 恩得利工業股份有限公司
 E & T ENTERY INDUSTRIAL CO., LTD.

DRAWN: Max AUG-17-2010
 CHECKED: [Signature]
 APPROVED: [Signature] 1/10/13

PART NO. △ 7080K-XXXX-X4X
 TITLE: 0.5 PITCH NON-ZIF FPC SMT R/A

SHEET 1/1

UNIT	SCALE	SIZE	REV
MM	8:1	A4	G