

NOTES: MATERIAL & FINISH
 1. HOUSING: HIGH-TEMP THERMOPLASTIC UL94V-0, COLOR: NATURE
 2. TERMINAL: COPPER ALLOY
 PLATING: TIN OR MATTE-TIN OR GOLD FLASH PLATED
 3. FITTING NAIL: COPPER ALLOY
 PLATING: TIN PLATED

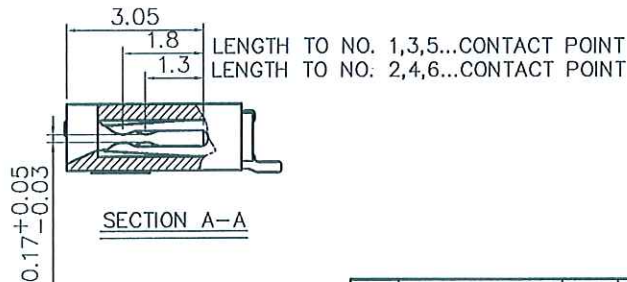
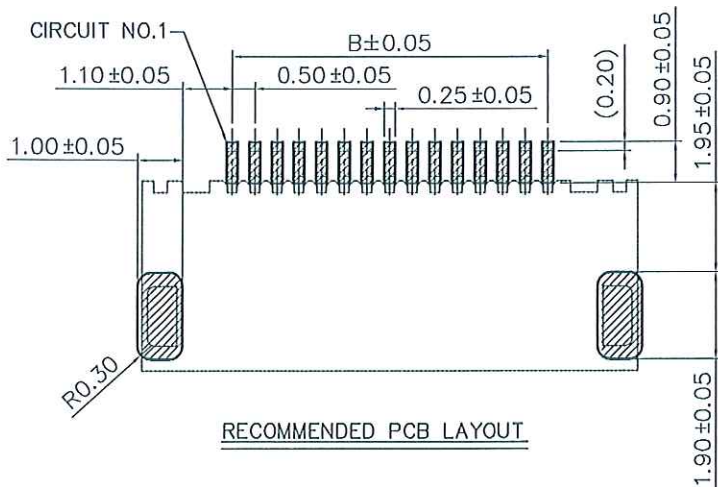
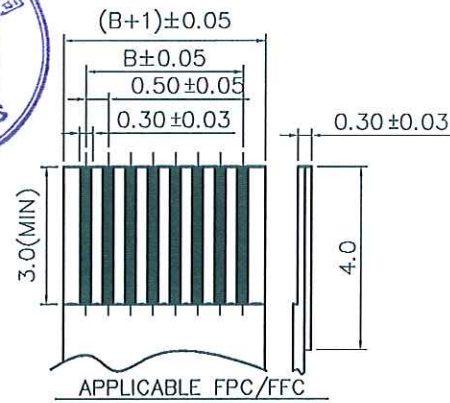
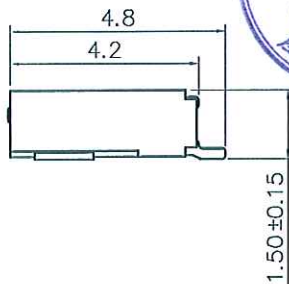
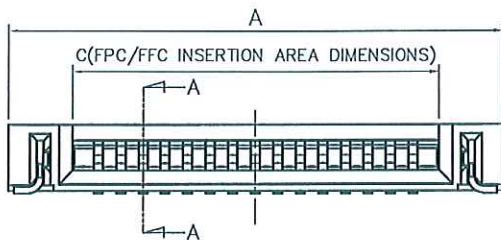
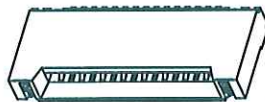
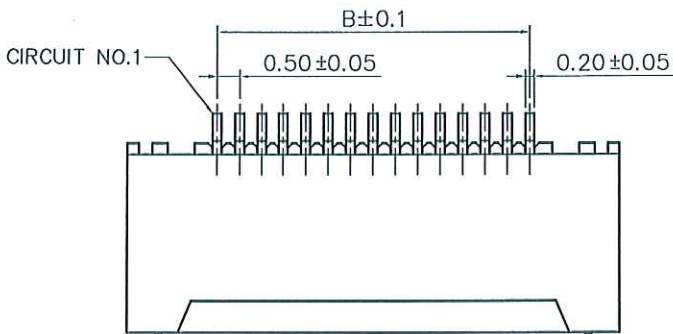
△ 4. ORDER INFORMATION: 7082K-X XX N-00X

PACKING: E: TUBE
 R: PLATIC REEL
 L: PAPER REEL

STANDARD
 PIN

PLATING: Q: MATTE-TIN
 F: GOLD FLASH

7082K: 0.5 NON ZIF FPC SMT R/A DUAL CONTACT (HALOGEN FREE)



ENTERY INDUSTRIAL CO., LTD.
 JAN 10, 2013
 R&D D.C.C. ISSUED

PIN NO.	A	B	C
4	5.5	1.5	2.65
5	6.0	2.0	3.15
6	6.5	2.5	3.65
7	7.0	3.0	4.15
8	7.5	3.5	4.65
9	8.0	4.0	5.15
10	8.5	4.5	5.65
11	9.0	5.0	6.15
12	9.5	5.5	6.65
13	10.0	6.0	7.15
14	10.5	6.5	7.65
15	11.0	7.0	8.15
16	11.5	7.5	8.65
17	12.0	8.0	9.15
18	12.5	8.5	9.65
19	13.0	9.0	10.15
20	13.5	9.5	10.65
21	14.0	10.0	11.15
22	14.5	10.5	11.65
23	15.0	11.0	12.15
24	15.5	11.5	12.65
25	16.0	12.0	13.15
26	16.5	12.5	13.65
27	17.0	13.0	14.15
28	17.5	13.5	14.65
29	18.0	14.0	15.15
30	18.5	14.5	15.65
31	19.0	15.0	16.15
32	19.5	15.5	16.65
33	20.0	16.0	17.15
34	20.5	16.5	17.65
35	21.0	17.0	18.15
36	21.5	17.5	18.65
37	22.0	18.0	19.15
38	22.5	18.5	19.65
39	23.0	19.0	20.15
40	23.5	19.5	20.65

CUSTOMER		E&T 恩得利工業股份有限公司 ENTERY INDUSTRIAL CO., LTD.	
GENERAL TOLERANCE UNLESS OTHERWISE SPECIFIED		DRAWN Josh JUN-26-2008	
CHECKED		PART NO. △ 7082K-XXXN-00X	
X.X ±0.25		TITLE: 0.5 NON ZIF FPC SMT R/A DUAL CONTACT	
X.XX ±0.13		APPROVED 12/20/12	
X.XXX ±0.10		SHEET 1/1	
ANG. ±0°30'		UNIT MM SCALE 6:1 SIZE A4 REV B	

△	RE201208014 RE201210002	JIMMY	12/20/12
SER	REVISIONS	CHK	DATE