

ENTERY INDUSTRIAL CO., LTD.
 MAR - 6. 2012
 R&D D.C.C. ISSUED

NOTES: MATERIAL AND FINISH
 1.INSULATOR:HIGH-TEMP THERMOPLASTIC, UL94V-0
 COLOR:NATURE
 2.CONTACT:COPPER ALLOY
 PLATING:TIN OR MATTE-TIN OR GOLD FLASH PLATED
 3.FITTING NAIL:COPPER ALLOY
 PLATING:TIN PLATED
 ORDER INFORMATION: 7083K-X XX X-07 X



PACKING: E: TUBE
 L: PAPER REEL

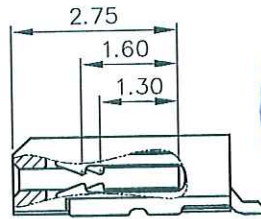
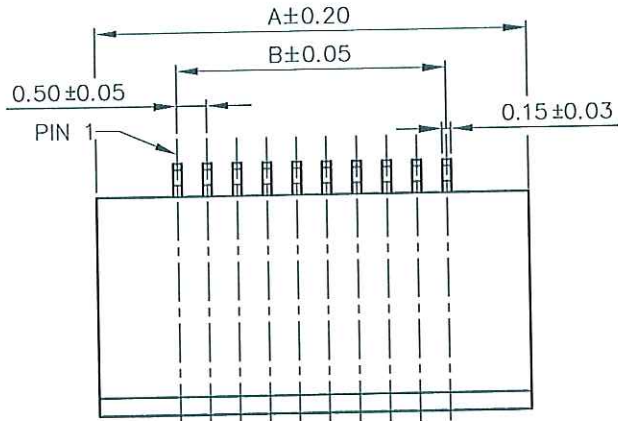
TYPE
 N: STANDARD
 Y: DATE CODE
 PIN NO.

PLATING: Q: MATTE-TIN
 E: TIN

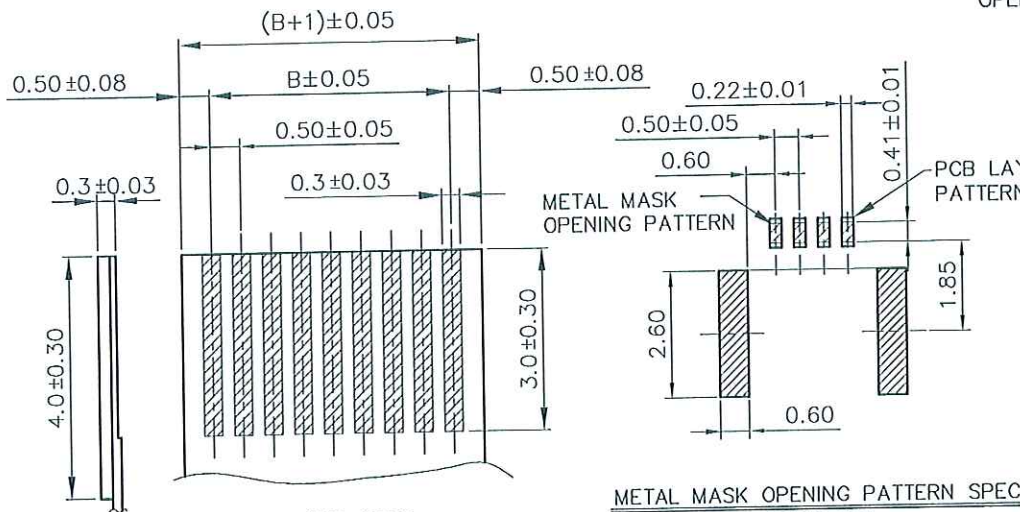
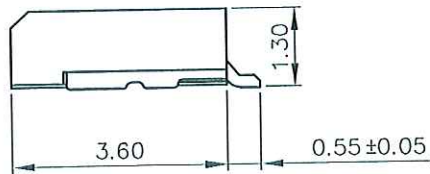
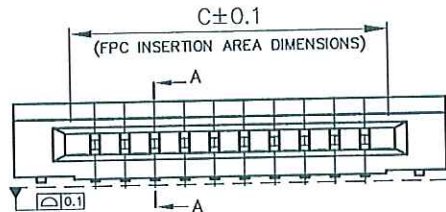
F: GOLD FLASH
 Y: GOLD FLASH (WITH NICKEL BARRIER)

7083K: 0.5 PITCH NON-ZIF FPC SMT R/A
 (HALOGEN-FREE)

PN NO.	A	B	C
4	4.20	1.50	2.50
5	4.70	2.00	3.00
6	5.20	2.50	3.50
7	5.70	3.00	4.00
8	6.20	3.50	4.50
9	6.70	4.00	5.00
10	7.20	4.50	5.50
11	7.70	5.00	6.00
12	8.20	5.50	6.50
13	8.70	6.00	7.00
14	9.20	6.50	7.50
15	9.70	7.00	8.00
16	10.20	7.50	8.50
17	10.70	8.00	9.00
18	11.20	8.50	9.50
19	11.70	9.00	10.00
20	12.20	9.50	10.50
21	12.70	10.00	11.00
22	13.20	10.50	11.50
23	13.70	11.00	12.00
24	14.20	11.50	12.50
25	14.70	12.00	13.00
26	15.20	12.50	13.50
27	15.70	13.00	14.00
28	16.20	13.50	14.50
29	16.70	14.00	15.00
30	17.20	14.50	15.50
31	17.70	15.00	16.00
32	18.20	15.50	16.50
33	18.70	16.00	17.00
34	19.20	16.50	17.50
35	19.70	17.00	18.00
36	20.20	17.50	18.50
37	20.70	18.00	19.00
38	21.20	18.50	19.50
39	21.70	19.00	20.00
40	22.20	19.50	20.50
41	22.70	20.00	21.00
42	23.20	20.50	21.50
43	23.70	21.00	22.00
44	24.20	21.50	22.50
45	24.70	22.00	23.00
46	25.20	22.50	23.50
47	25.70	23.00	24.00
48	26.20	23.50	24.50
49	26.70	24.00	25.00
50	27.20	24.50	25.50



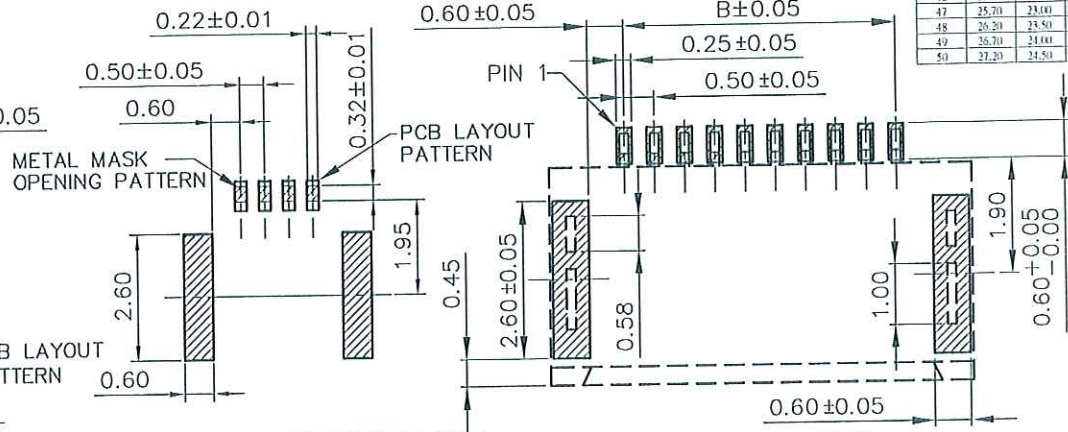
SECTION A-A



FPC/FFC SPEC

METAL MASK OPENING PATTERN SPEC

SCALE 8:1
 METAL MASK THICKNESS: 0.12mm
 CONTACT OPENING RATIO : 60%
 FITTING NAIL OPENING RATIO : 100%



METAL MASK OPENING PATTERN SPEC

SCALE 8:1

METAL MASK THICKNESS: 0.15mm
 CONTACT OPENING RATIO : 48%
 FITTING NAIL OPENING RATIO : 100%

PATTERN DIM. SPEC

TOLERANCES ARE NOT ACCUMULATED

CUSTOMER: 恩得利工業股份有限公司
 E&T ENTERY INDUSTRIAL CO., LTD.

GENERAL TOLERANCE UNLESS OTHERWISE SPECIFIED
 X.X ±0.25
 X.XX ±0.13
 X.XXX ±0.07
 ANG. ±1°

DRAWN: Joan DEC-23-2010
 CHECKED: [Signature]
 APPROVED: [Signature]
 SHEET: 1/1

PART NO.: 7083K-XXXX-07X
 TITLE: 0.5 PITCH NON-ZIF FPC SMT R/A

REVISIONS	CHK	DATE
REN120307	JIMMY	03/08/12
RE201012030	JOSH	12/23/10

UNIT	SCALE	SIZE	REV
MM	8:1	A4	B