

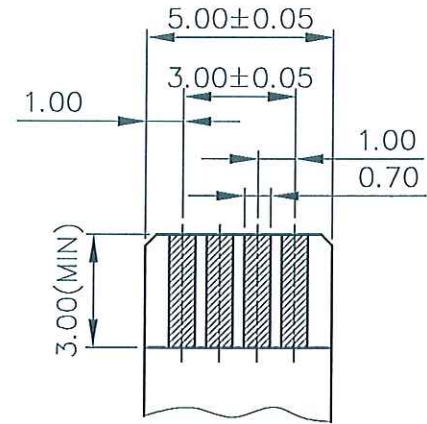
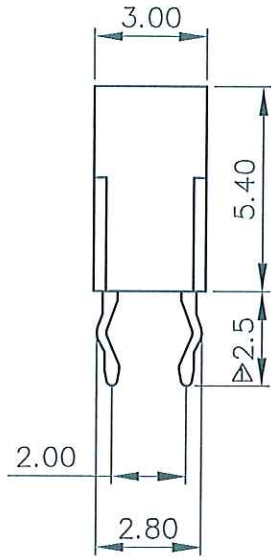
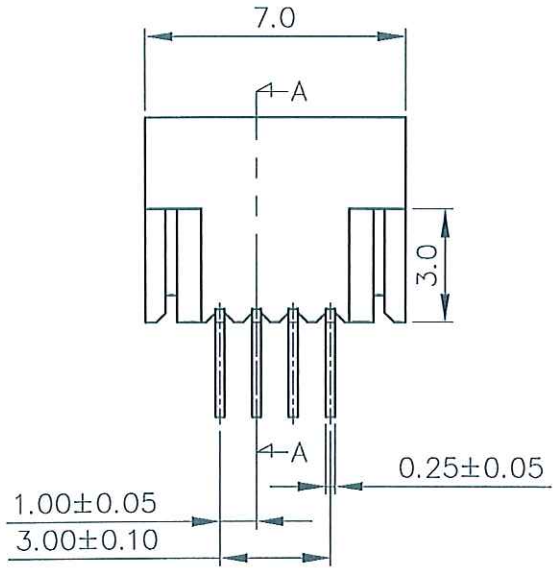
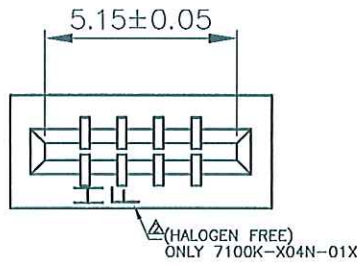
- NOTES: MATERIAL & FINISH
 1.INSULATOR:HIGH-TEMP THERMOPLASTIC, UL94V-0
 COLOR:BLACK
 2.CONTACT:COPPER ALLOY;t=0.25
 PLATING:TIN OR MATTE-TIN PLATED
 3.PIN No.1 MEANS POSITION OF THE FIRST PIN OF FPC.
 Δ4.ORDER INFORMATION: 7100K-X 04 N-01 X

PACKING: E: TUBE
 C: TRAY

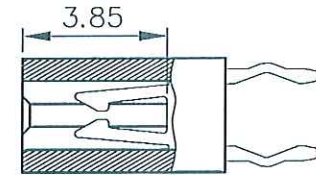
TYPE
 STANDARD

PLATING: E: TIN
 Q: MATTE-TIN

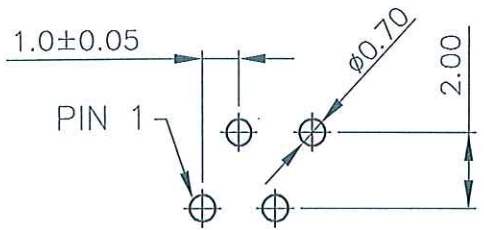
7100K:1.0 NON/ZIF FPC DIP V/T TYPE(HALOGEN FREE)



RECOMMENDED APPLICABLE
 FPC LAYOUT (THICKNESS: 0.3±0.03)



SECTION A-A



RECOMMENDED PATTERN DIM.
 FOR EVEN CKT. (REF.)

CUSTOMER		恩得利工業股份有限公司 ENTERY INDUSTRIAL CO., LTD.	
GENERAL TOLERANCE UNLESS OTHERWISE SPECIFIED		DRAWN <i>Hunter</i> AUG-11-2009 CHECKED	PART NO. 7100K-X04N-01X
X.X ±0.30 X.XX ±0.20 X.XXX ±0.15 ANG. ±0°30'	APPROVED <i>[Signature]</i> 1/14/13	TITLE: 1.0 NON/ZIF FPC DIP V/T TYPE	
SER	REVISIONS	CHK	DATE
Δ	RE201208014 RE201210002	Max	01/14/13
Δ	RE200907052	Max	09/01/09
Δ	RE200905003	HUNTER	08/11/09
SHEET 1/1		UNIT MM	SCALE 5:1
		SIZE A4	REV C