

TO

SPECIFICATION FOR APPROVAL

DESCRIPTION: Pitch 0.80mm ZIF FPC Connector, R/A, SMT Type Top Contact

CUSTOMER PROD.NO/DWG.NO:

E&T PROD.NO: 6781K-XXXX-00X

APPROVAL SHEET NO:

E&T DWG. NO./DOCUMENT: 6781K-XXXX-00X

REV: A0

PLEASE RETURN TO US ONE COPY OF "SPECIFICATION FOR APPROVAL" WITH YOUR APPROVED SIGNATURES.

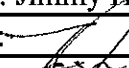
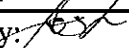
APPROVED SIGNATURES			



**ENTERY INDUSTRIAL CO., LTD.
E&T ELECTRONICS (DONG GUAN) CO., LTD.
E&T ELECTRONICS (SU ZHOU) CO., LTD.**

ENTERY INDUSTRIAL CO., LTD.

**Title : Pitch 0.80mm ZIF FPC Connector,
R/A, SMT Type Top Contact**

RELEASE HISTORY		Title: Pitch 0.80mm ZIF FPC Connector, R/A, SMT Type Top Contact	
A0	08.09,2012'	This Document Contains Information That Is Proprietary To E&T And Should Not Be Used Without Written Permission	
Rev	Description		
Document No.		Prepared By: Jimmy Hsu	Date:2012/08/09
6781K-XXXX-00X		Checked By: 	Date: 20120809
		Approved By: 	Date:

ENTERY INDUSTRIAL CO., LTD.

PRODUCT SPECIFICATION

1. SCOPE :

This specification covers the pitch 0.80 mm ZIF FPC connector series.

2. PRODUCT NAME AND PART NUMBER :

Product Name	E&T Part Number
0.80mm ZIF FPC Connector, R/A, SMT Type Top Contact	6781K-XXXX-00X

3. RATINGS :

Item	Standard	
Rated Voltage (MAX.)	12 V	(AC(rms/DC))
Rated Current (MAX.)	1A	
Operating Temperature Range	-40 ⁰ C ~ +85 ⁰ C	

*Including terminal temperature rise

4.PERFORMANCE :

4- 1 Electrical Performance

Item	Test Condition	Requirement
4-1-1 Contact Resistance	Test Current: 10 mA Max. Test Voltage: 20mV Max Test Method: EIA-364-06B	20 mΩ MAX.
4-1-2 Insulation Resistance	Test Voltage: 500V DC. Test Duration: 1 minutes. Test Method: EIA-364-21C	100 MΩ Min.
4-1-3 Dielectric Strength	Test Voltage:500V AC. Test Time: 60 sec. Test Method: EIA-364-20B	No Breakdown

ENTERY INDUSTRIAL CO., LTD.

4-2 Mechanical Performance

Item		Test Condition	Requirement	
4-2-1	FPC Retention Force	Test Speed: 25±3 mm/min. Test Method: EIA-364-29B	0.02kgf (per pin) MIN	
4-2-2	Terminal / Housing Retention Force	Test Speed: 25mm/min.	0.2kgf (Min)	
4-2-3	Durability	Insert and withdraw actuator up to 20cycles at the speed rate of less than 10 cycles/minute. Test Method: EIA-364-09C	Contact Resistance	
			Initial Value	≤ 20 mΩ
			Final Value	≤ 40 mΩ

4-3 Environmental Performance and Others

Item		Test Condition	Requirement	
4-3-1	Vibration	Amplitude : 1.5 mm Frequency range: 10~55~10 Hz in 1 minute Duration: 2 hours in each X.Y.Z axes Current: 100mA. Test Method: EIA-364-28D	Appearance	No Damage
			Contact Resistance	≤ 40 mΩ
			Discontinuity	1μsec
4-3-2	Heat Resistance	Temperature: 85±2℃ Duration: 96 hours	Appearance	No Damage
			Contact Resistance	≤ 40 mΩ
4-3-3	Cold Resistance	Temperature: -40±2℃ Duration: 96 hours	Appearance	No Damage
			Contact Resistance	≤ 40 mΩ
4-3-4	Humidity	Temperature: 40±2℃ Relative Humidity: 90~95% Duration: 96 hours Test Method: EIA-364-31B	Appearance	No Damage
			Contact Resistance	≤ 40 mΩ
			Insulation Resistance	≥ 100MΩ
			Dielectric Strength	Must meet 4-1-3

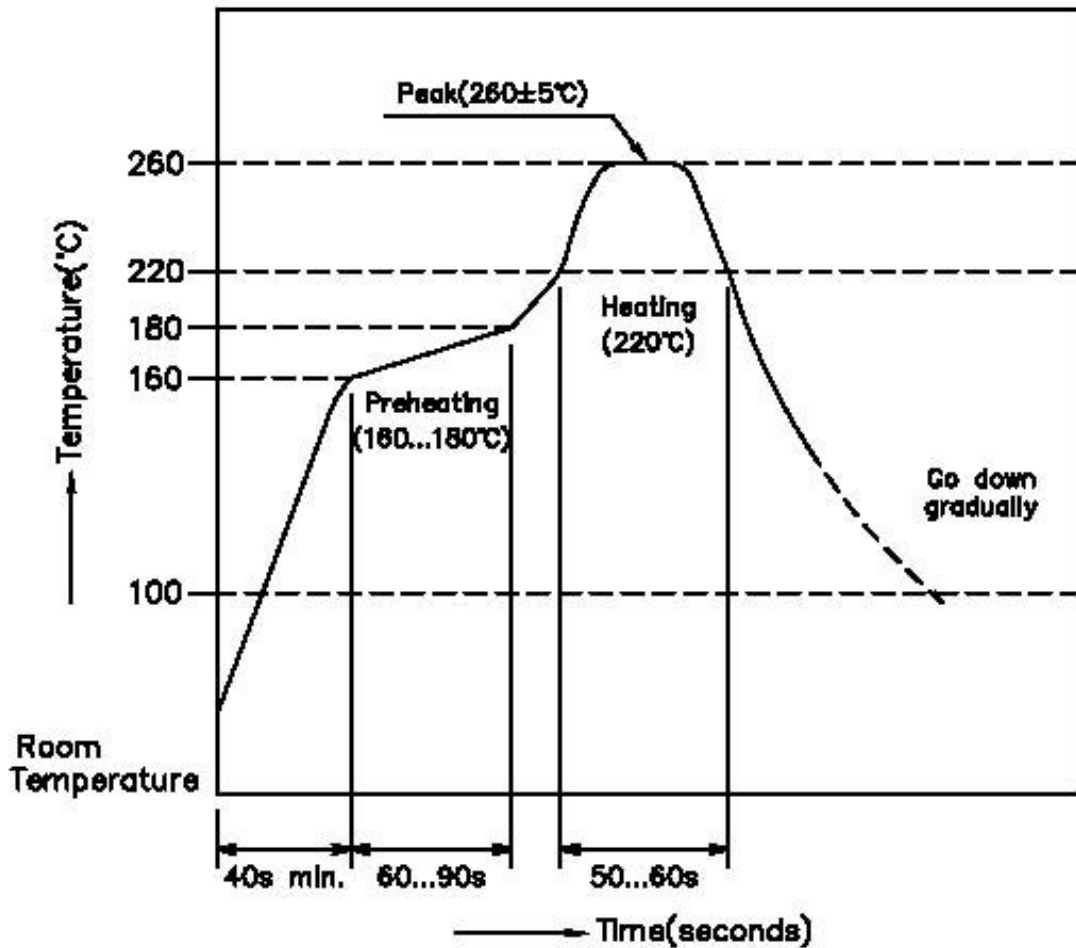
ENTERY INDUSTRIAL CO., LTD.

Item		Test Condition	Requirement	
4-3-5	Solder Ability	Soldering Time : 3 ± 0.5 sec Solder Temperature : $245 \pm 5^\circ\text{C}$ Test Method: EIA-364-52	Solder Wetting	95% Of Immersed Area Must Show No Voids, Pin Holes
4-3-6	Resistance To Soldering Heat	Soldering Time : 10 ± 0.5 sec Solder Temperature : $260 \pm 5^\circ\text{C}$ Test Method: EIA-364-56C	Appearance	No Damage
4-3-7	Steam Aging	Steam Aging Temperature : $98 \pm 2^\circ\text{C}$ Duration: 8 hours Solder Temperature : $245 \pm 5^\circ\text{C}$ Soldering Time : 3 ± 0.5 sec Test Method: EIA-364-17B	Appearance	No Damage
			Solder Wetting	95% Of Immersed Area Must Show No Voids, Pin Holes
4-3-8	Salt Spray	Chamber Temperature : $35 \pm 2^\circ\text{C}$ Air Tank Temperature : $47 \pm 1^\circ\text{C}$ Salt Solution : $5 \pm 0.5\%$ Duration : 48 hours Test Method: EIA-364-26B	Appearance	No Damage
			Contact Resistance	$\leq 40 \text{ m}\Omega$
4-3-9	Temperature Cycling	5 cycles of : a) $-55 \pm 3^\circ\text{C}$ 30 minutes b) $+25 \pm 3^\circ\text{C}$ 30 minutes c) $+85 \pm 2^\circ\text{C}$ 30 minutes Test Method: EIA-364-31B	Appearance	No Damage
			Contact Resistance	$\leq 40 \text{ m}\Omega$

ENTERY INDUSTRIAL CO., LTD.

5. INFRARED REFLOW CONDITION

- 1) Ascending time to preheating temperature 170°C shall be 40 seconds minimum.
- 2) Preheating shall be fixed at 160...180°C for 60...90 seconds.
- 3) Heating shall be fixed at 220°C for 50...60 seconds.
- 4) At 260±5°C peak shall be 10 seconds maximum.



FPC /FFC Connector Slip Lock Type Handling Precautions

This manual is to describe basic precautions. When there are doubtful points in use of, please contact E&T.

1. Common Handling Precautions

- Do not expose E&T's ZIF FPC/FFC connector, processing process product and processing product to corrosive substance, corrosive gas, high temperature and high humidity and direct sunshine. It causes corrosion of contact and deterioration of insulation performance of housing, etc., so that it causes motion defect of appliances.
- Do not apply external load to E&T's ZIF FPC/FFC connector, processing process product and processing product . Deformation and breakage, etc. occur, and it causes performance defect of.
- There may be slight differences in the housing coloring, but there will be no influence on the product's performance.
- Please add a stiffener on the flexible printed circuit (FPC/FFC) when you mount the connector onto FPC in order to prevent deformation of the FPC/FFC.
- Please do not conduct any "washing process" on the connector because it may damage the product's function.

2. PC Board Precautions

- Exercise caution when handling boards with the connectors installed. Do not apply any forces affecting soldered joints. (see figure 1).
- The mounting specification for coplanarity does not include the influence of warpage of the printed circuit board. (see figure 1).

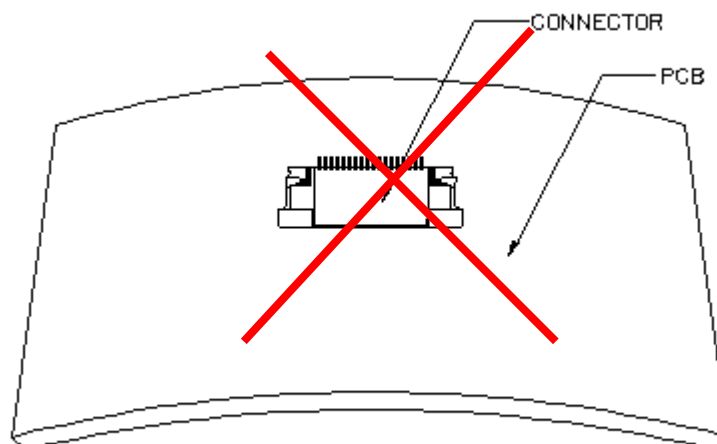


Figure 1.

3. Operation

FPC/FFC Insertion Procedure.

- 1) Connector installed on the board.
Seize the actuator(Lock) to pull out. Use thumb and index finger. (see figure 2).

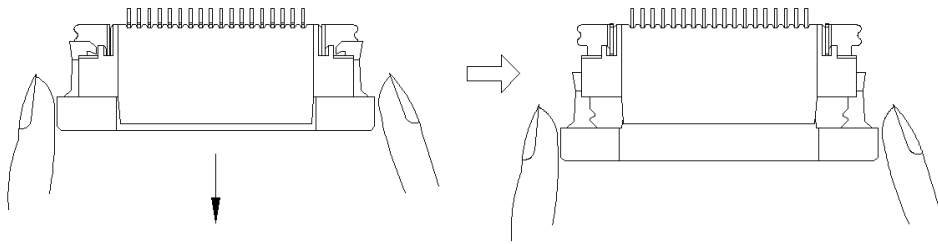


Figure 2.

- 2) Assure that the FPC/FFC is fully inserted parallel to mounting surface. (see figure 3)

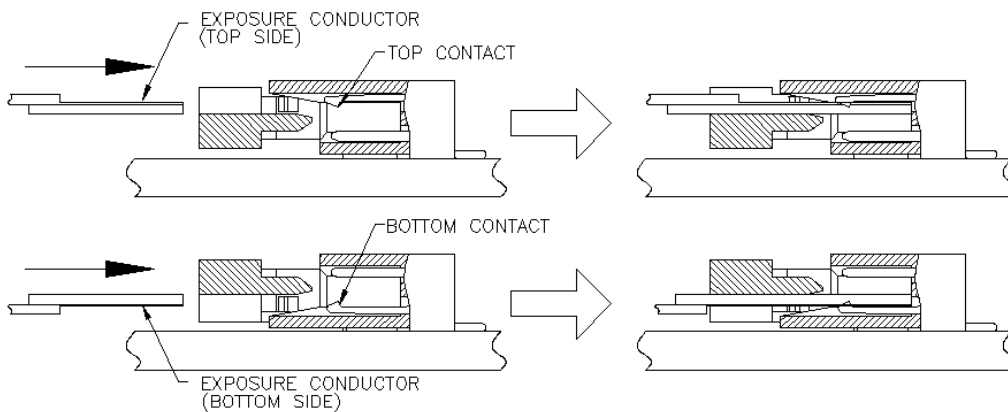


Figure 3.

- 3) Push the actuator(Lock) until firmly closed. It is critical that the inserted FPC is not moved and remains fully inserted. Should the FPC be moved, open the actuator(Lock) and repeat the process, starting with Step 1(see figure 4).

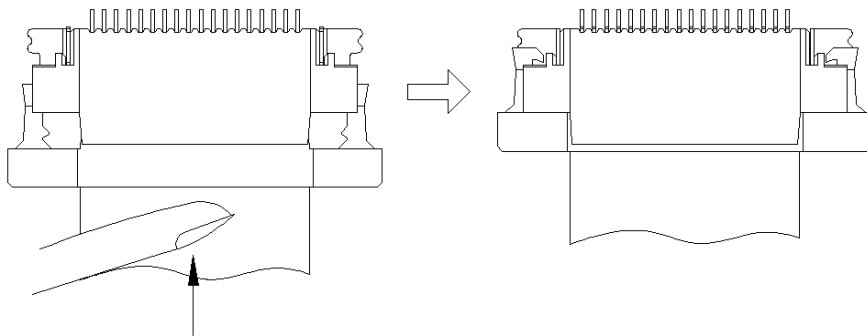


Figure 4.

FPC/FFC Removal.

- 1) Seize the actuator(Lock) to pull out. Use thumb and index finger. (see figure 5).
- 2) Carefully withdraw the FPC/FFC. (see figure 5).

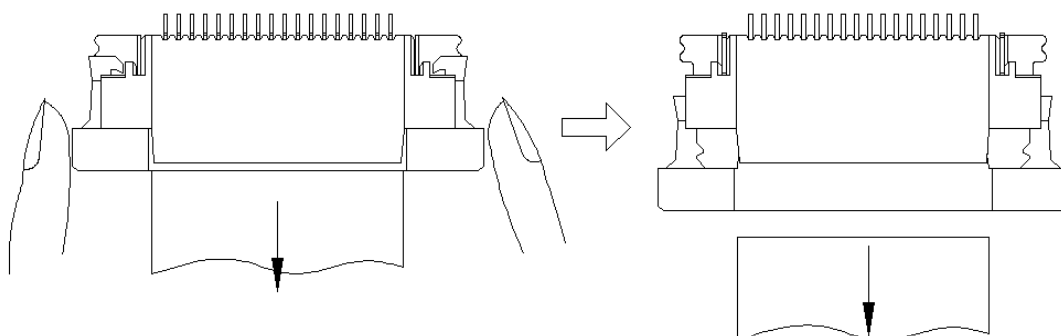


Figure 5.

4. Precautions When Inserting or Withdrawal FPC/FFC

- FPC/FFC to be insertion and withdrawal at an angle of about 15° , and the FPC/FFC should be inserted firmly all the way to the back. (see figure 6).

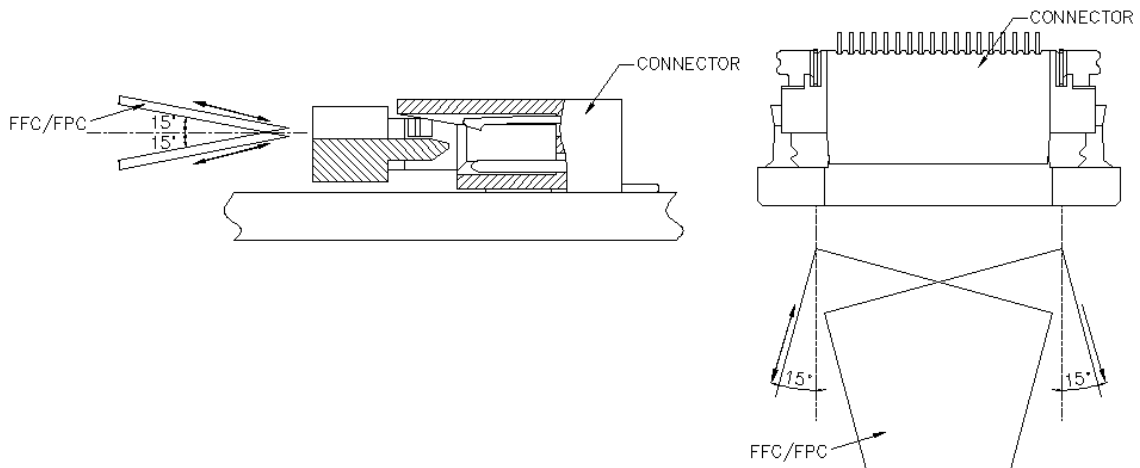


Figure 6.

- If necessary, please fix the FPC/FFC directly on the chassis. Also, please avoid pulling the FPC/FFC vertically or twisting the FPC back and force horizontally while it is inserted in the connector(see figure 7).
- Forming processing is conducted to FPC so as not to load force to connector. (see figure 7).

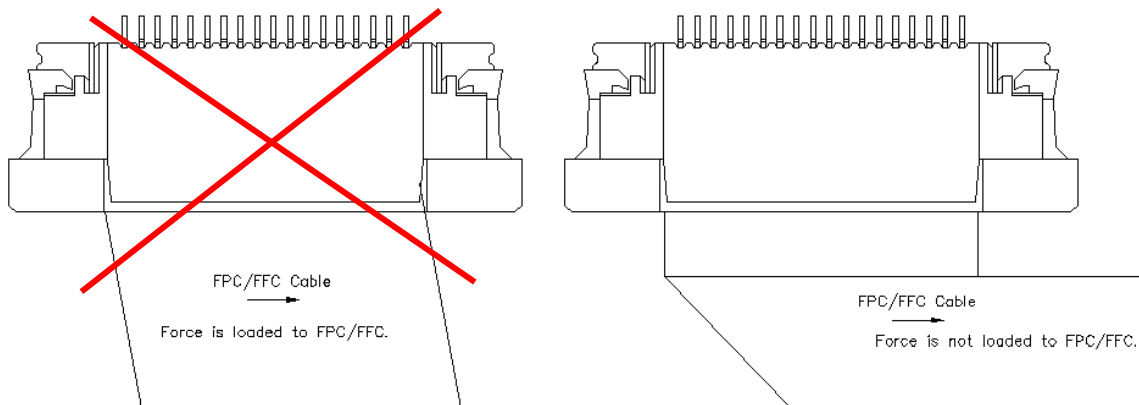


Figure 7.

ENTERY INDUSTRIAL CO., LTD.

RELEASE HISTORY

Rev.	Revisions	Date	Executor	Description
A0	REN120805	AUG-09-2012	JIMMY	First Release